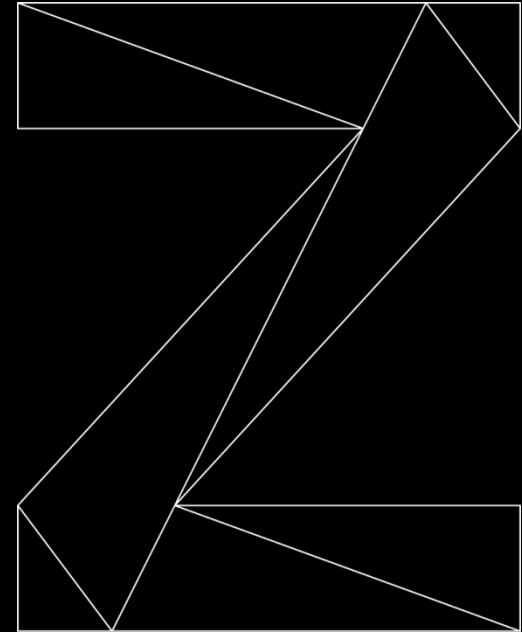


IBM Hardware Innovation Overview

GSE zExpertenforum
April 2-3, 2019

Franco Pinto
IBM Z Client Technical Specialist
franco.pinto@ch.ibm.com



IBM z14 and IBM LinuxONE GA2 Driver Level summary

IBM z14 family GA2 Driver 36

Cryptography

- Extensions to the z14 cryptographic capabilities to address evolving security compliance requirements across the globe and enhance the availability of IBM Z(R) Cryptographic services
- Trusted Key Entry (TKE) and smart card improvements

DPM

- Dynamic Partition Manager (DPM) 3.2 increased feature support

I/O

- Dynamic I/O for stand-alone Coupling Facilities
- IBM Adapter for NVMe for LinuxOne
- FCP Express 32S for LinuxOne
- zHyperLink writes

HMC

- Hardware Management Console (HMC) and HMC Mobile enhancements

Network Adapter

- New OSA-Express7S 25 GbE and 25GbE RoCE Express2 hardware adapters

CF enhancements

- Asynchronous Cache Cross-Invalidation (XI) to improve performance and scalability in a Sysplex

STP enhancements

- Server Time Protocol (STP) Coordinated Timing Network (CTN) split and merge capabilities for sysplex management

New IBM Z hardware enhancements

IBM z14



October 2, 2018
Announce

December 3, 2018
General Availability *

* OSA-Express7S 25GbE
GA: April 9, 2019

IBM LinuxONE



IBM z14 and LinuxONE™ Enhanced Driver Maintenance

New GA2 LIC driver updates **from Driver 32 to Driver 36** in support of new features and functions

GA2 Hardware



Security

Crypto

New Crypto enhancements enables compliance with PCI, ANSI and other evolving standards, provides enhanced performance, simplified TKE processes and a new smart card to meet expected encryption strengths required for compliance.

Data Serving

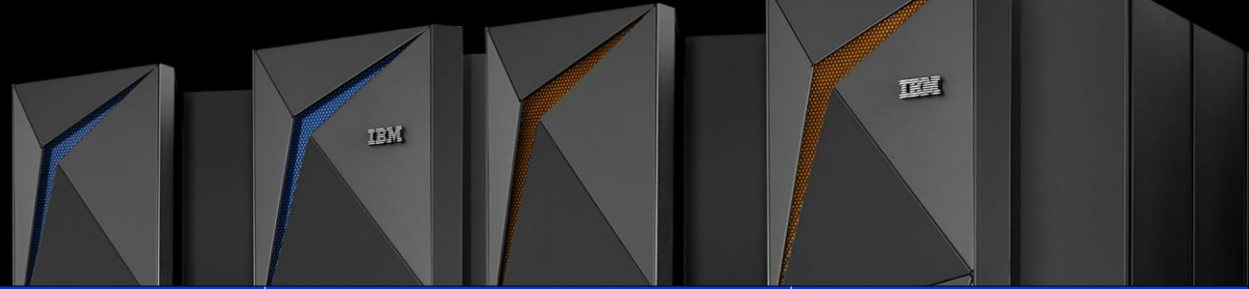
IBM Adapter for NVMe* “vendor card adapter Beta” provides the ability for embedded storage within the system through the PCIe bus interface. This feature uses PCIe adapter cards with attached Solid State Drives (SSDs) that connect directly to the I/O backplane, providing customers with the ability to have embedded storage without the need for external DASD or Tape (after initial install). This feature can help with memory-intensive workloads, real-time analytics, fast storage workloads such as streaming, paging/sorting, and traditional applications such as relational databases.

FCP Express32S* provides high-speed network technology for use with Storage Area Networks (SANs). FCP32 provides the ability for 32 Gigabits per second (Gbps) speeds over a fast fibre channel protocol. This feature provides the ability to consolidate multiple / slower FCP cards and allows higher bandwidth and I/O rates for the most advanced data-serving needs.

Support for zHyperLink™ Writes accelerates Db2 log writes to help meet clients most stringent requirements and deliver superior service levels by processing high volume Db2 transactions.

*** Available on LinuxONE only**

GA2 Hardware (continued)



Open and Connected

DPM 3.2 import of FICON® based configuration data from an existing machine – or data center IOD enables a quick setup of the Storage Configuration when installing a new machine.

Simplification

Dynamic I/O for Standalone Coupling Facility eliminates the client workload disruption caused by needing to perform CEC IMLs to make dynamic I/O configuration changes involving standalone Coupling Facilities in a Parallel Sysplex® environment.

Improves client workload availability and minimizes the risks associated with disruptive changes.

HMC (Hardware Management Console) 2.14.1 Enhancements provide improvements in the areas of I/O, Security, System Concurrency, User Experience, and HMC Mobile.

Resiliency

Asynchronous XI is a new sysplex capability intended to provide performance and improved cross-site operation.

Allows the cache coherency messages that flow around the sysplex to maintain data integrity to be performed in a lazy, asynchronous fashion rather than synchronously, with exploitation from the data manager (Db2).

The asynchronous protocol is expected to reduce cache services times and sysplex coupling overhead.

STP CTN split/merge is a new sysplex timing capability for availability that allows 2 distinct timing networks to be merged into one, or vice versa, nondisruptively. Previously, these timing network reconfigurations/ transitions were disruptive to the running sysplex(es).

Infrastructure

OSA-Express7S 25 GbE SR*
25GbE RoCE Express2

Meet increased networking performance demands driven by high speed processors and expansion of network traffic.

25 GbE can provide increased bandwidth for workloads

Depending upon the environment, these 25 GbE adapters can reduce the cost of network cabling and switching by consolidating 10GbE links onto 25 GbE adapters.¹

*** Planned availability of OSA-Express7S 25GbE SR is April 9, 2019**

¹ For OSA-Express7S 25GbE, clients that have enabled TCP Segmentation Offload may not see the throughput benefits required for adapter consolidation as the throughput of the adapter is currently limited in that environment.

Extending the IBM z14 and LinuxONE product families

IBM z14



GA2 Content for both IBM Z and LinuxONE

- Crypto Enhancements
- DPM 3.2
- HMC 2.14.1
- OSA-Express7S 25GbE SR
- 25GbE RoCE Express2
- DS8882F Rack Mounted
- Secure Service Container with IBM Cloud Private (Linux)
- IBM Cloud Private (Linux) **Statement of Direction for Master on IBM Z**

IBM LinuxONE



IBM Z Content for GA2

- zHyperLink Writes
- Dynamic I/O for Standalone Coupling Facility
- New Sysplex Capabilities
- Solution Consumption License Charge
- Zowe
- Db2 AI for z/OS
- AI Infused Analytics & ML on IBM Z
- z/OS Cloud Broker for ICP **Statement of Direction**

LinuxONE Content for GA2

- IBM Adapter for NVMe
- FCP Express32S

GA2 hardware content for IBM Z and LinuxONE Servers

Enhancements	All z14 Servers	z13 [®] /z13s [®] Servers	zEC12/zBC12 Servers	z196/z114 Servers	z10EC/z10BC Servers	Emperor	Emperor II	Rockhopper	Rockhopper II
Crypto Enhancements	X						X		X
IBM Adapter for NVMe							X		X
FCP Express32S							X		X
zHyperLink Writes	X								
DPM 3.2	X						X		X
Dynamic I/O for Standalone Coupling Facility	X								
HMC 2.14.1	X	X	X	X	X	X	X	X	X
New Sysplex Capabilities	X								
OSA-Express7S 25 GbE	X						X		X
25GbE RoCE Express2	X						X		X

IBM DS8882F Rack Mounted

IBM is introducing a new member of the DS8880F family of all-flash data systems that span a wide range of business-critical application workloads

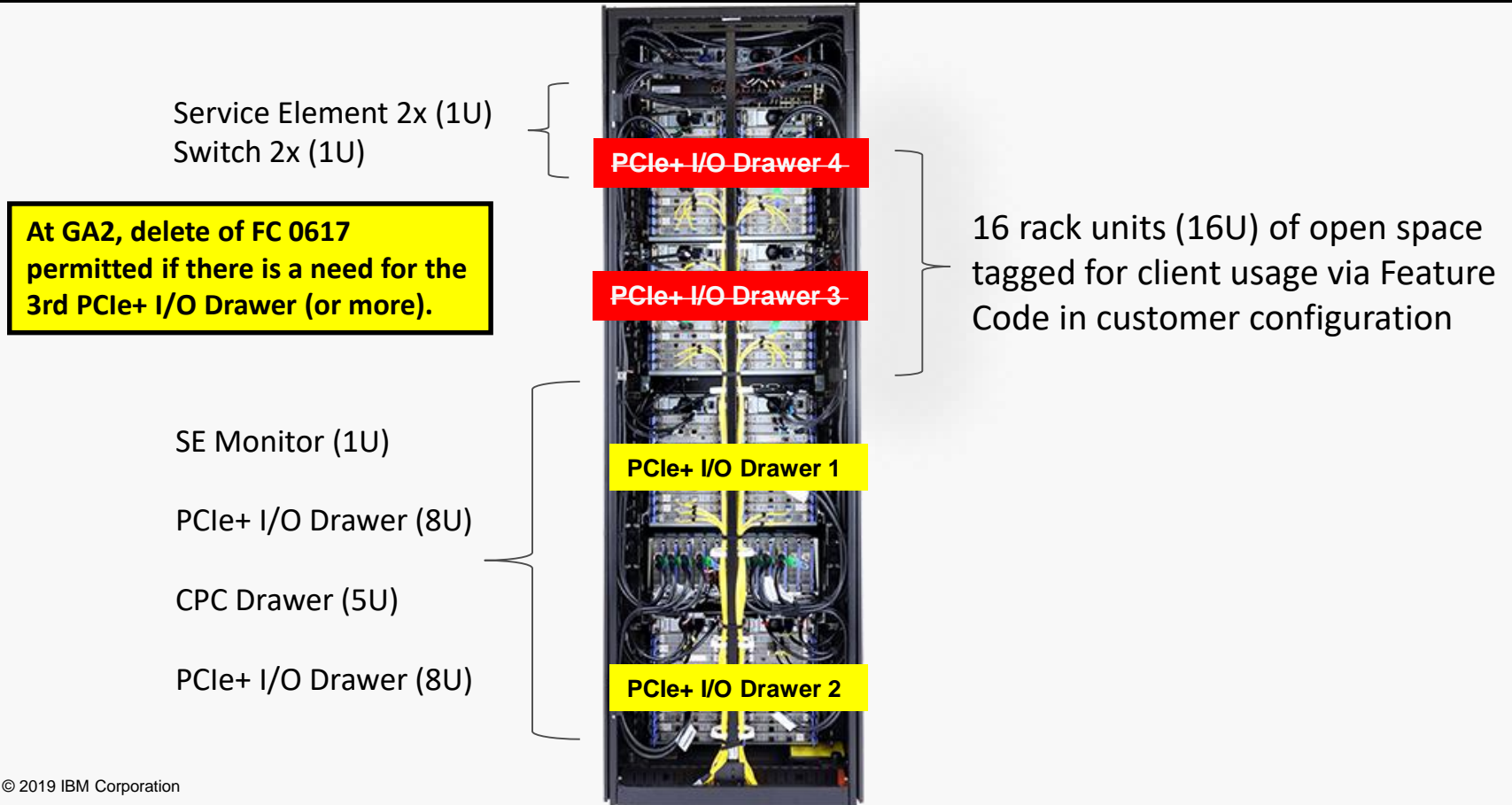
- Can be integrated into **IBM z14 ZR1** or **IBM LinuxONE Rockhopper II** systems
- Feature code (FC 0617) based ability to use 16U of contiguous space in the **IBM z14 ZR1** or **LinuxONE Rockhopper II** system frames
- Provides a midrange product with the same advanced functions as the larger DS8880F systems
- From 6.4 TB to 368.64 TB of all-flash capacity
- Guidelines for physical structures as well as restriction of interaction with the 'mainframe server' provided



Announcement date: August 21
General Availability: September 7

FC 0617 – 16U Reserved on model ZR1

42u, industry standard rack



Customers are able to specify the target bundle.

Many clients want all of their machines to be at the same bundle level, while their enterprise is updated over a period of weeks.

[Concurrent Driver Upgrade \(CDU\)](#) in prior drivers automatically tried to load 'All MCL bundles'

Enhancement: Let the customer specify what bundle the machine should arrive at when the CDU has completed.

The screenshot shows the IBM Hardware Management Console interface. At the top, the title bar reads "IBM Hardware Management Console". Below the title bar, there are two tabs: "Home" and "Concurrent Upgrade Engine...". The "Concurrent Upgrade Engine..." tab is active. Below the tabs, there is a dialog box titled "Activate Bundle - SETR184". The dialog box contains the following text: "Choose which bundles to activate on EC A12345." Below this text, there are two radio button options: "Activate all preloaded bundles" (which is unselected) and "Activate a specific preloaded bundle" (which is selected). Below the radio buttons, there is a text input field labeled "Bundle level:". At the bottom of the dialog box, there are three buttons: "OK", "Cancel", and "Help".

Miscellaneous HMC Enhancements

1. Enable/Disable InfiniBand Coupling Port (Previously only available via the Support Element)
2. z14 ZR1 Manage Power Service State – Power off ½ of the PDU's without call home.
3. eBoD on HMC (Previously only available via Single Object Operations) TERs
4. IBM Z Net Promoter Score (NPS) survey via HMC (Remote Sysprog, e-mail it to another user, remind me later).
5. SCSI Load Normal Enhancement
6. Dynamic I/O for Standalone Coupling Facility
7. Enhancement of SE logins from the HMC (Chat, SOO - force off other user).
8. z14 ZR1 Enhanced Driver Maintenance
9. Statements of Direction (Remove zBX, HMC Legacy CPCs)
10. YouTube videos for HMC Content - <https://ibm.biz/IBM-Z-HMC>
11. HMC Mobile Enhancements, Biometrics, load, delete HW messages, respond to OS messages, delete OS messages: <https://ibm.biz/hmc-mobile>



Hardware Management Console - Statement of Direction

The z14 will be the last IBM Z machine family where the associated Hardware Management Console release will support greater than n-2 machine family CPCs.

Machine Family	Machine Type	Firmware Driver	SE Version	Ensemble Node Potential
z14	3906	32	2.14.0	Yes
z13	2964	27	2.13.1	Yes
z13s	2965	27	2.13.1	Yes
zBX Node	2458 Mod 004	22	2.13.0	Required
zBC12	2828	15	2.12.1	Yes
zEC12	2827	15	2.12.1	Yes
z114	2818	93	2.11.1	Yes
z196	2817	93	2.11.1	Yes
z10 BC	2098	79	2.10.2	No
z10 EC	2097	79	2.10.2	No

Machine Family	Machine Type	Firmware Driver	SE Version
zNext*	xxxx	xx	x.xx.x
z14 M0x	3906	36	2.14.1
z14 ZR1/LR1	3907	36	2.14.1
z13	2964	27	2.13.1
z13s	2965	27	2.13.1

*Note: No support for Unified Resource Manager (Ensemble)

Red text indicates end of support after December 31, 2018.

STP: The old user interface to go away from SE on the zNext.

Statement of Direction (SoD)

Statements by IBM regarding its plans, directions, and intent are subject to change or withdrawal without notice at the sole discretion of IBM. Information regarding potential future products is intended to outline general product direction and should not be relied on in making a purchasing decision.

The information mentioned regarding potential future products is not a commitment, promise, or legal obligation to deliver any material, code, or functionality. Information about potential future products may not be incorporated into any contract. The development, release, and timing of any future features or functionality described for IBM products remain at the sole discretion of IBM.

IBM z14 Statement of Direction

HMC Support Efficiency Updates

IBM z14 is planned to be the last release that will allow HMC support across the prior four generations of server (N through N-4). Future HMC releases are intended to be tested for support of the prior two generations (N through N-2). For example, the next HMC release would support the zNext generation, plus z14 generation and z13[®]/z13s[®] generation.

This change will improve the number and extent of new features and functions that are able to be pre-tested and maintained in a given release with IBM's continued high-reliability qualification procedures.

Removal of System (Sysplex) Time on the Support Element

IBM z14 is planned to be the last machine generation to support the System (Sysplex) Time task on the Support Element. The System (Sysplex) Time task was replaced by the "Manage System Time" task on the Hardware Management Console 2.14.0 release, associated with the IBM z14 models. Clients should begin shifting to the new HMC 2.14.0 or later releases for tasks and procedures, including time management.

IBM z14 Statement of Direction (continued)

Ensemble and zEnterprise® Unified Resource Manager

IBM z14 is planned to be the last IBM Z server to support Ensembles and zEnterprise Unified Resource Manager (zManager).

The z14 HMC level is planned to be the last HMC level to support Ensembles. Statements by IBM regarding its plans, directions, and intent are subject to change or withdrawal without notice at the sole discretion of IBM.

IBM z14 Redbooks updates

October 20, 2018 – Updated ITSO Redbooks – Draft Versions

- Updated – IBM z14 Technical Introduction, SG24-8450
- Updated – IBM z14 Technical Guide, SG24-8451
- Updated – IBM Z Connectivity Handbook, SG24-5444
- Updated – IBM Z Functional Matrix, REDP-5157

August 1st, 2017 – ITSO Redbooks

- IBM z14 Configuration Setup, SG24-8460



IBM Tips & Links

IBM Z readme Preparation Guide for Driver 36:

<https://www-01.ibm.com/servers/resourcelink/lib03010.nsf/pagesByDocid/E353FDB5A60F36C28525837C005315CF?OpenDocument>

IBM z14 server family GA2 Announcement Letter:

https://www.google.com/url?sa=t&rct=j&q=&esrc=s&source=web&cd=1&cad=rja&uact=8&ved=2ahUKewiqoL6oma3hAhWmxoUKHQJrDIEQfjAAegQIBBAB&url=http%3A%2F%2Fwww-01.ibm.com%2Fcommon%2Fssi%2FShowDoc.wss%3FdocURL%3D%2Fcommon%2Fssi%2Frep_ca%2F8%2F897%2FENUS118-018%2Find

Z Systems Long Distance Coupling:

https://www.google.com/url?sa=t&rct=j&q=&esrc=s&source=web&cd=1&cad=rja&uact=8&ved=2ahUKewifxIDhmK3hAhWNYIUKHXzHBe0QfjAAegQIAxAB&url=https%3A%2F%2Fwww.ibm.com%2Fcommon%2Fssi%2FShowDoc.wss%3FdocURL%3D%2Fcommon%2Fssi%2Frep_ca%2F1%2F897%2FENUS117-031%2Findex

IBM z13 server family hardware withdrawal:

https://www.google.com/url?sa=t&rct=j&q=&esrc=s&source=web&cd=1&cad=rja&uact=8&ved=2ahUKewjd1r2Omq3hAhWjyYUKHaTFB-UQfjAAegQIARAB&url=http%3A%2F%2Fwww-01.ibm.com%2Fcommon%2Fssi%2FShowDoc.wss%3FdocURL%3D%2Fcommon%2Fssi%2Frep_ca%2F1%2F897%2FENUS918-071%2Find

IBM Tips & Links (cont.)

STP Split Merge Whitepaper WP102779:

http://www-03.ibm.com/support/techdocs/atsmastr.nsf/0/4ab05204172d51f385258359000a3e94?OpenDocument&mhq=stp_split&mhsrc=ibmsearch_a

IBM other Topics

IBM other Topics - Cobol

On Feb. 5, IBM announced the end of service dates for Enterprise COBOL v4.2, Enterprise COBOL v5.1, Enterprise COBOL v5.2 and ABO v1.2.

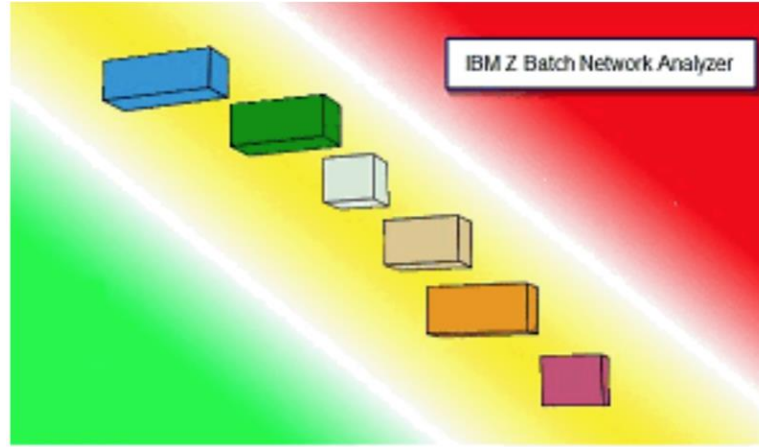
Products to be withdrawn from service on April 30, 2020:

IBM Enterprise COBOL for z/OS	5.1.0	5655-W32
IBM Enterprise COBOL Developer Trial for z/OS	5.1.0	5655-TRY
IBM Enterprise COBOL for z/OS	5.2.0	5655-W32
IBM Enterprise COBOL Developer Trial for z/OS	5.2.0	5655-TRY
IBM Enterprise COBOL Value Unit Edition for z/OS	5.2.0	5697-ECV
IBM Automatic Binary Optimizer for z/OS	1.2.0	5697-AB1

Product to be withdrawn from service on Sept 30, 2021:

IBM Enterprise COBOL for z/OS	4.2.0	5655-S71
-------------------------------	-------	----------

IBM other Topics – zBNA/zCP3000



IBM Z Batch Network Analyzer © IBM Corporation 2013-2018. All rights reserved.
Contains graphics software from KL Group © 2000. All rights reserved.

Major Enhancements for CPSTools

zCP3000 and zBNA updated with new features and capabilities

IBM other Topics – Conferences

European Operations Technical Conference 2019

The European Operations Technical Conference 2019 addresses the needs of System, Network and Automation Administrators and Operators. Sessions are presented by representatives from IBM teams, including IBM System Automation for z/OS and IBM Tivoli NetView for z/OS development, and the product exploiters/customers. Interaction and feedback is both expected and encouraged.

The agenda includes news and updates for Z Automation (System Automation, NetView), Service Management Unite, the IBM Service Management Suite for z/OS and IBM Z Service Automation Suite, OMEGAMON, Workload Scheduler, and Geographically Dispersed Parallel Sysplex (GDPS).

When: May13th – May16th, 2019

Where: IBM Lab Böblingen

Cost: €350.00 for the entire conference

Travel, Lodging and other expenses: covered by attendees

Agenda: <https://gse.paxido.com/EOTC-2019/registration/show.php?page=Agenda>

Register: <https://gse.paxido.com/EOTC-2019>

Contact: gfrey@de.ibm.com

IBM other Topics – Conferences

IBM Systems Technical University 2019

Grow your skills with in-depth pure technical training at the IBM Systems Technical University in Berlin, Germany. Learn how you can harness the power of IBM Systems solutions to help turn your IT challenges into successes.

When: May 20th – May 24th, 2019

Where: Berlin, Andel's Vienna House

Agenda: [IBM TechU Agenda](#)

Register: <http://ibm.biz/REG-Berlin>

Contact: stg_conferences@be.ibm.com

Use our Groupcode “FAM” to get another 2% discount on top!

IBM other Topics – Miscellaneous

IT Economics Consulting and Research

<https://www.ibm.com/it-infrastructure/services/it-economics/research-ca>

IBM® Cloud Private v3.1.2 documentation

https://www.ibm.com/support/knowledgecenter/SSBS6K_3.1.2/kc_welcome_containers.html

IBM Cloud Private on Z and LinuxONE - Whitepaper

<https://www.ibm.com/us-en/marketplace/cloud-private-on-z-and-linuxone>

Q&A

The image features the letters 'Q&A' rendered in a 3D, blue, sans-serif font. The letters are thick and have a slight shadow beneath them, giving them a three-dimensional appearance. They are set against a plain white background. The 'Q' is on the left, the ampersand is in the middle, and the 'A' is on the right. The lighting is soft, coming from the upper left, which creates subtle highlights and shadows on the surfaces of the letters.

THANK YOU